



**Environmentally Friendly Solutions For Industry**

## ■ SHIPS: SOLVING YOUR PROBLEM

### **Anti-fouling - Anti-corrosion - Anti-scaling**

Seawater systems on board of ship are always under attack of the hostile environment of the seawater, resulting in corrosion, fouling and scaling. These problems can result in an increase in fuel consumption or even overheating of the engines and failure.

Reducing these problems effectively will result in lower maintenance and save dry dock expensive operations without reducing ship efficiency.

*Without Mexel® 432*



*With Mexel® 432*



**MEXEL Industries SAS**

Z.A. de Verberie,  
60410 VERBERIE  
FRANCE

Tel: +33 (0)3 44 38 39 40

Email: [info@mexel.fr](mailto:info@mexel.fr)

[www.mexel.fr](http://www.mexel.fr)



## Environmentally Friendly Solutions For Industry



Our Mixel technology is highly effective against all three kinds of problems. Mixel® S.A. has elaborated the Mixel® 432, a unique, innovative, multifunctional, filming product capable of effectively keeping clean the surface and reducing corrosion thanks to its detergent and dispersant properties in open, semi-closed and closed re-circulating cooling systems.

- Instead of treating the whole quantity of water circulating in the pipes and exchangers, Mixel® 432 only treats the surfaces in contact with water and therefore dramatically reduces the product quantity applied and hence the quantity released into the environment.
- Mixel product does not contain any halogenated components, aromatic rings, heavy metals or quaternary ammonium. Reducing these problems effectively will result in lower maintenance and save dry dock expensive operations without reducing ship efficiency.

### **MEXEL Industries SAS**

Z.A. de Verberie,  
60410 VERBERIE  
FRANCE

Tel: +33 (0)3 44 38 39 40

Email: [info@mixel.fr](mailto:info@mixel.fr)

[www.mixel.fr](http://www.mixel.fr)



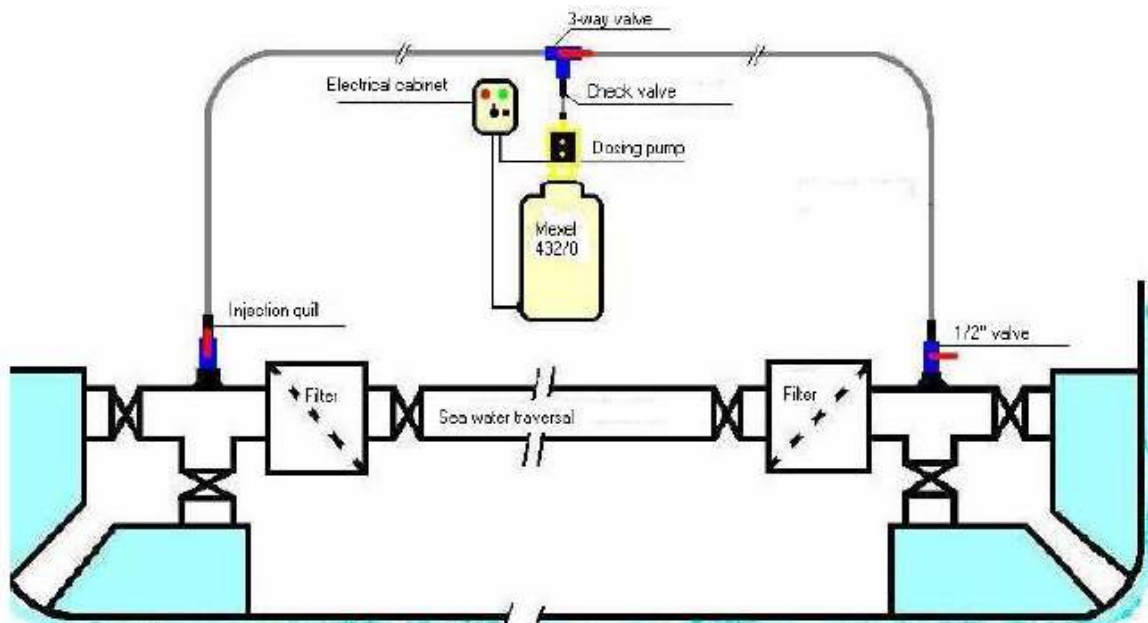
## Environmentally Friendly Solutions For Industry

The Mexel® 432 is used under the form of an aqueous emulsion. The product is injected into the water circulating inside the cooling, fire or utility systems.

Mexel® 432 is adsorbed on the surfaces and forms a thin film with the following properties:

- Reduce fouling development
- Reduce corrosion of most known materials
- Act as an anti-scaling agent under specific conditions
- The product effect is highly preventive but also slowly curative against fouling.

*Injection system schematic*



**MEXEL Industries SAS**

Z.A. de Verberie,  
60410 VERBERIE  
FRANCE

Tel: +33 (0)3 44 38 39 40

Email: [info@mexel.fr](mailto:info@mexel.fr)

[www.mexel.fr](http://www.mexel.fr)